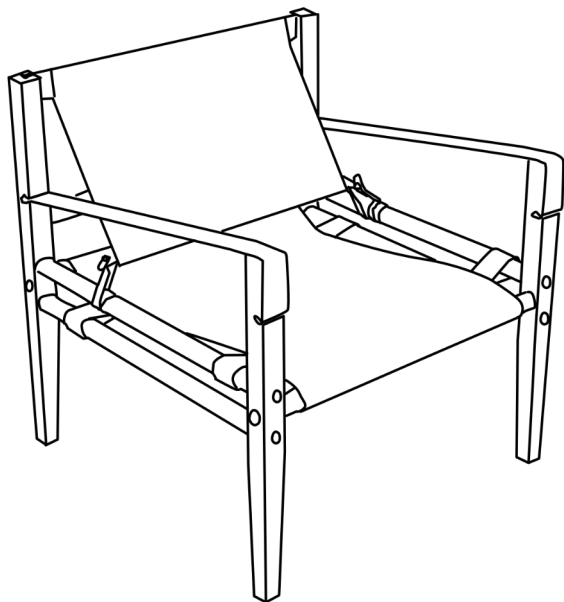


c h a i r





Wildingout

Warnings and Cautions for Use

Important instructions are provided to prevent injury, accidents, and damage to the product. Please read them thoroughly before use.



Warnings

The following precautions are intended to prevent situations where the user could suffer severe injury or death.

- Please do not perch lightly on the seat, sit on the backrest or armrests, or sit anywhere other than the center of the seat.
- When standing up, avoid pushing off from the armrests. Instead, place your hands on the upper front legs to lift yourself.
- Assemble the chair according to the instructions in this manual. Incomplete assembly can cause accidents such as tipping over, injuries, or damages during use.
- The load capacity serves as a guideline. If force is applied abruptly or only to one part of the chair, there could be a risk of injury, damage, or accidents even if the load does not exceed the limit. Please absolutely avoid sitting in a way that applies excessive force or causes the chair to shake or bounce.
- This product is made from natural solid wood, and may exhibit warping, twisting, or cracking. If these symptoms become significant, discontinue use.
- Before assembly, carefully inspect all parts for damage. If any damage is detected, discontinue use of the chair.
- Place the chair on a flat and stable surface. Placing it on an unstable location could lead to tipping over and potential injury.
- When children are using the chair, caution them not to stand on it, among other things. There is a risk of tipping over or falling off.

chair1987

Assembly and Operating Instructions

Thank you very much for purchasing a "chair1987". This guide, henceforth referred to as 'this manual', contains the correct handling instructions for our product. Please read this manual carefully before using it.

Warnings and Cautions for Use

Cautions

These precautions are intended to prevent situations where the user or others could be injured, or where the product or other objects could be damaged.

- Assemble and disassemble the product in a spacious area after confirming there are no people around. Parts may come off with force and fly out during disassembly.
- If the product is used on flooring or tatami mats, it could scratch the floor.
- Do not leave the product exposed to direct sunlight or rain for extended periods. The wooden and fabric parts may deteriorate, and the strength of the product may decrease.
- This product cannot be fully washed.
- Do not use the product in muddy areas, wet grass, rivers, etc. Moisture can damage the wood and may cause the product to deteriorate.
- Do not leave the product near fireplaces or other sources of fire for extended periods. It may catch fire or become deformed.

Disclaimer

- We cannot assume responsibility for injuries, damages, accidents, etc., resulting from misuse, usage conditions, or inadequacies in maintenance management and inspections.
- Due to the nature of the product, warping, cracking, and expansion/contraction of the wood can occur over time and with changes in seasons or places of use. This may make assembly or disassembly impossible. If this happens, do not force assembly or disassembly. Instead, refer to the support page on our website for guidance. Unless the product is defective upon receipt, we cannot accept returns, issue refunds, or provide free replacement parts in such cases.
- We cannot assume responsibility for injuries, damages, accidents, etc., that occur if the customer has modified the product themselves and used it.

After-Sales Support

Although the chair1987 is manufactured with utmost care, if you find any issues, please contact us by email. If we determine that the issue is due to a manufacturing defect, we will provide a free replacement or repair. Please note that the necessity for replacement or repair will be determined at our discretion. Additionally, we will not provide free replacements or repairs in the following cases:

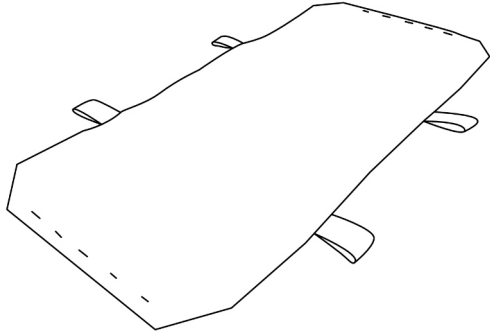
- Issues caused by modifications or painting applied to the product by the customer.
- Problems arising from incorrect usage, storage methods, care, or natural wear and tear over time.
- Issues caused by rough handling.
- Other cases where the cause is determined not to be a defect in our manufacturing.

Care Instructions

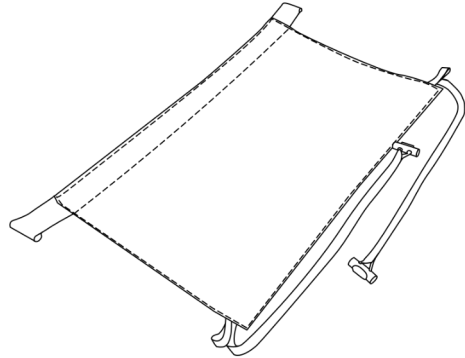
- After use, wipe off dirt and dust from the wood surfaces with a dry cloth. If the product gets damp, wipe it dry thoroughly and let it dry completely in the shade before storing.
- Never wash the wooden parts of the product with water. This can cause the wood to crack, warp, or deform.
- If the fabric parts are heavily soiled, wipe the surface with a cloth lightly soaked in a diluted neutral detergent (about 5%).
- If you are concerned about dirt on the wooden parts, polish the surface with 240-grit sandpaper. Be careful not to over-sand the parts where the wood joins together (inside the holes or surfaces that meet the round rod holes).
- If you are storing the product for a long period, put it in the dedicated storage bag, avoid direct sunlight, and store in a cool place with good ventilation.

Parts

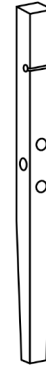
Seat x1



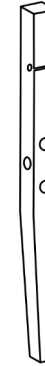
Backrest x1



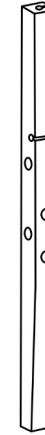
Right front leg x1



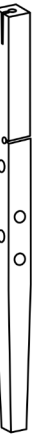
Left front leg x1



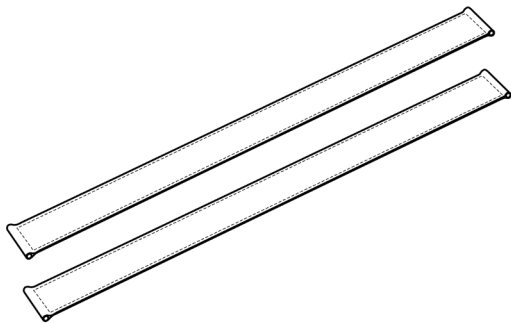
Right back leg x1



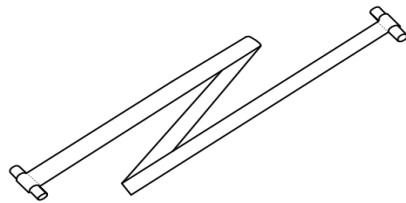
Left back leg x1



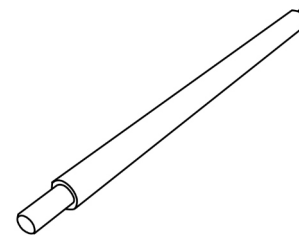
Armrests x2



Seat fixing cord x1



Round rods x7



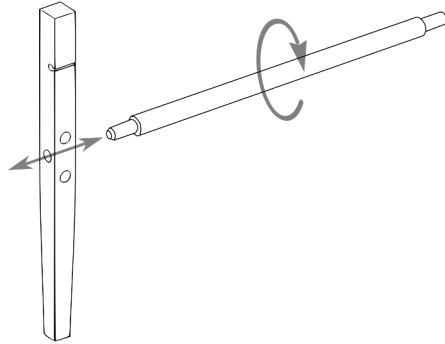
Storage bag x1



Assembly Instructions

• Before Assembly

This product is intricately crafted, especially where wood meets wood (referred to as "tenon"), to ensure it can be used for a long time. This is done to prevent the tenon from loosening over time. Therefore, immediately after purchase or depending on the season, the dowel might be hard to insert into the hole. During assembly, as shown in the figure below, please insert the dowel perpendicularly into the hole while rotating it.

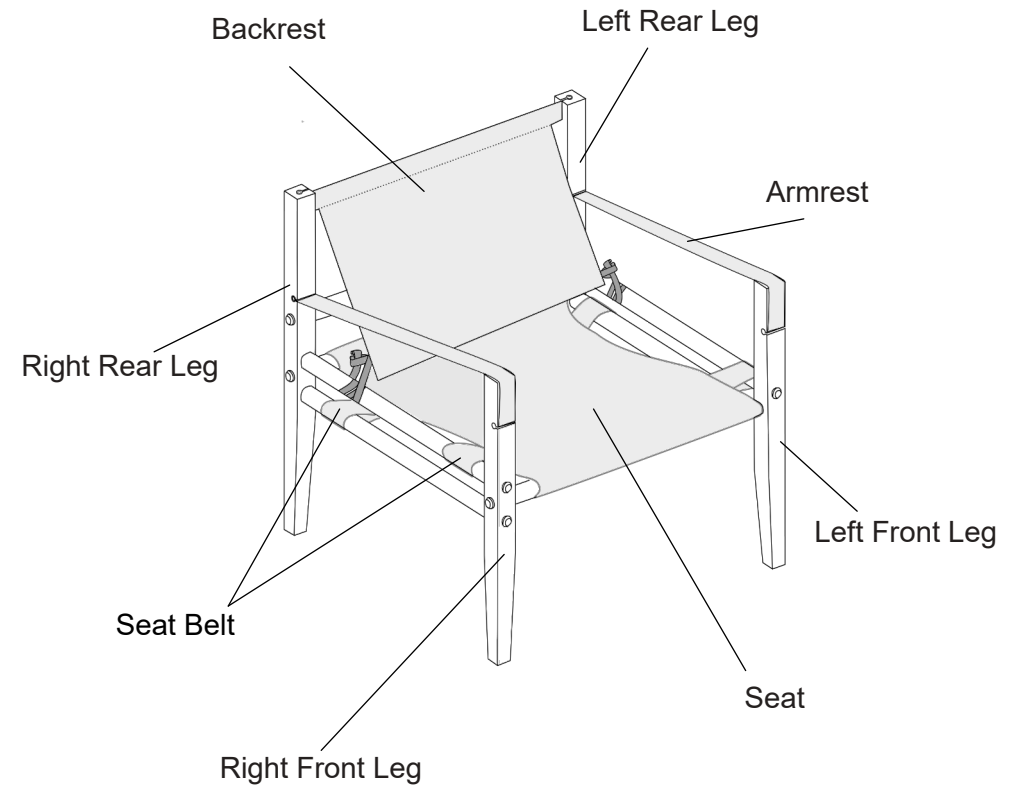


※Caution

• There is a risk that the dowel could be forcefully pulled out, or that it could hit people or objects during assembly. Please make sure you're in a spacious area and check for people or objects around before proceeding.

• If it requires considerable force to insert while rotating, or if it's difficult to insert, do not force it in. Instead, use #150 sandpaper to smooth the part of the dowel that will be inserted (the slender part) until it can be inserted easily.

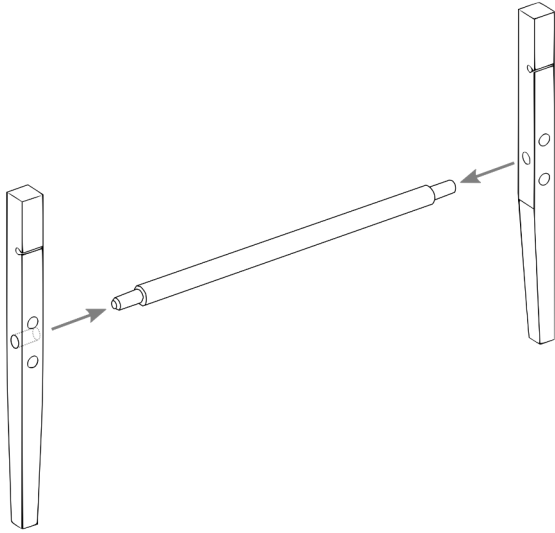
Names of Each Part



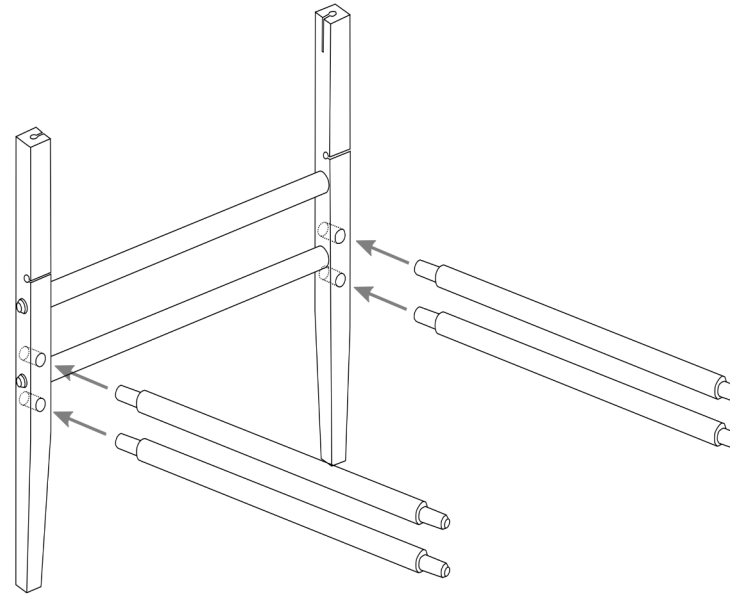
(Completed Picture)

Assembly Instructions

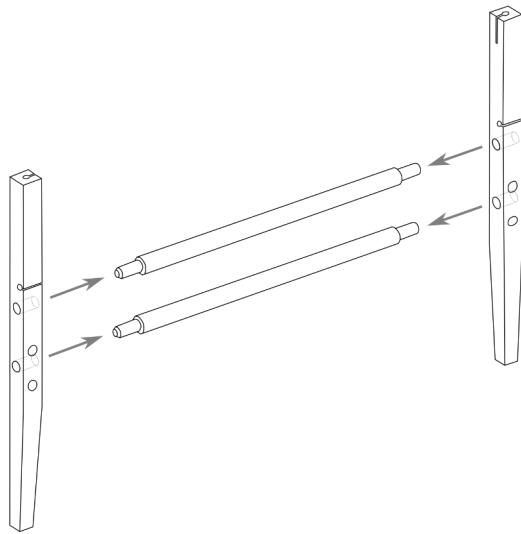
1



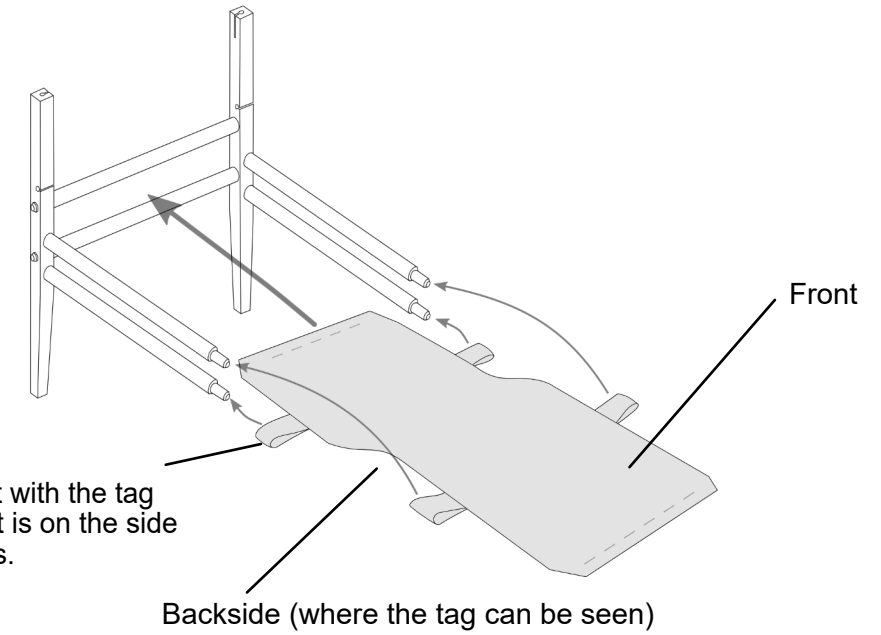
3



2

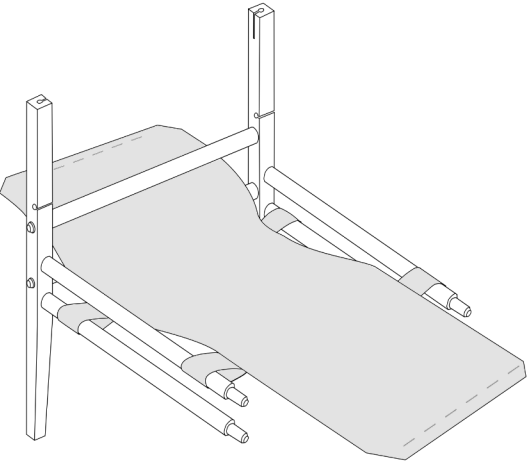


4

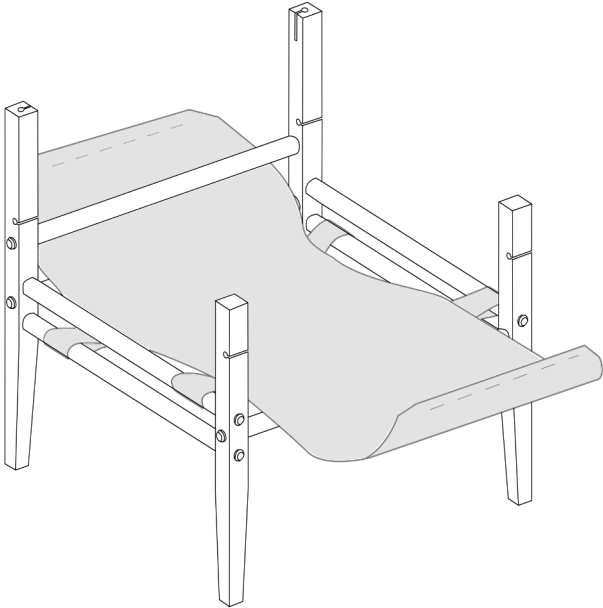


Assembly Instructions

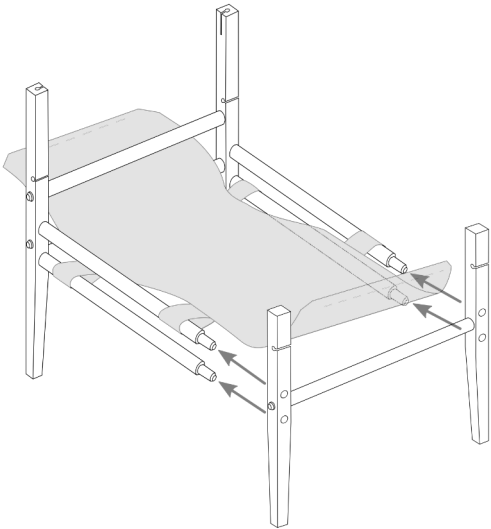
5



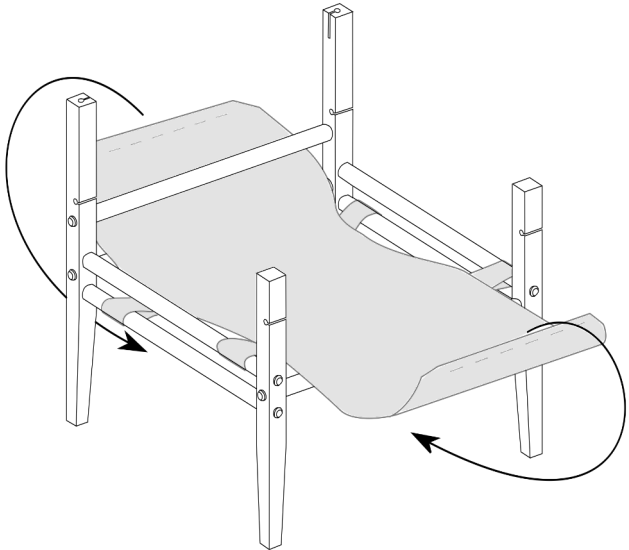
7



6

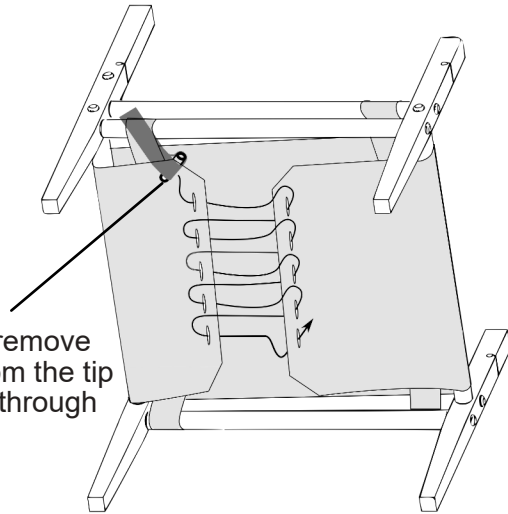


8



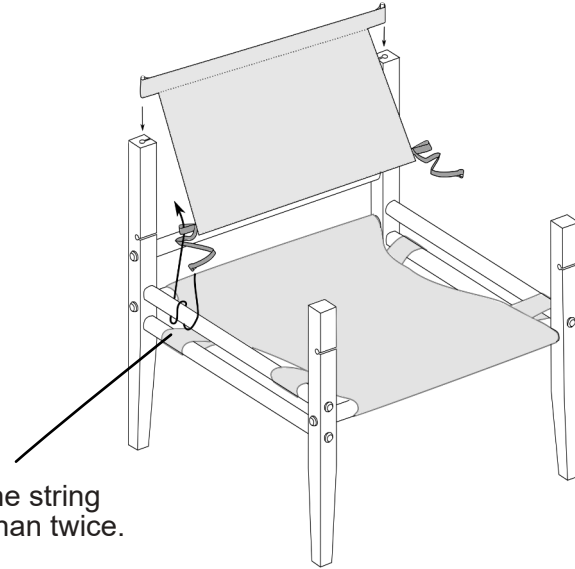
Assembly Instructions

9



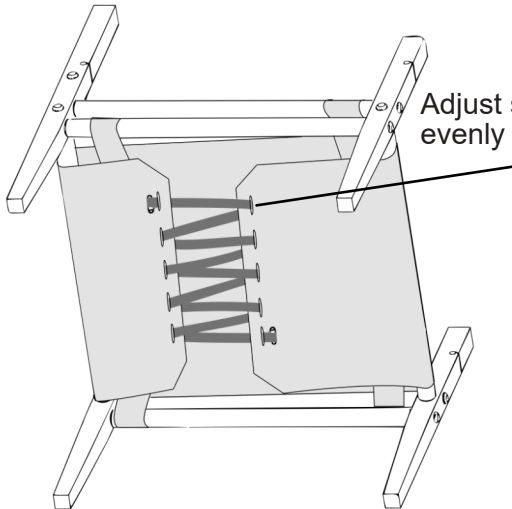
It is smoother to remove the round bar from the tip first, then pass it through the hole.

11



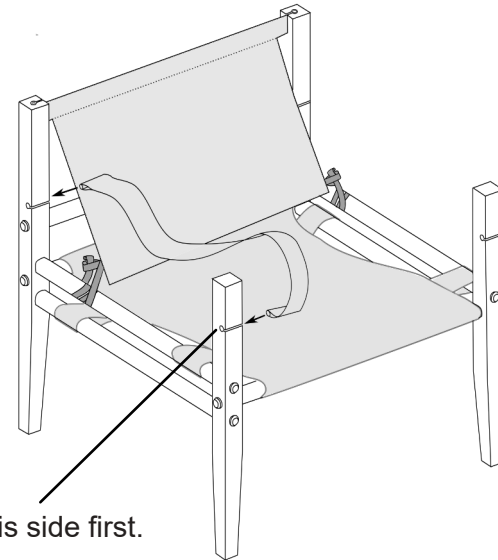
Please wrap the string around more than twice.

10



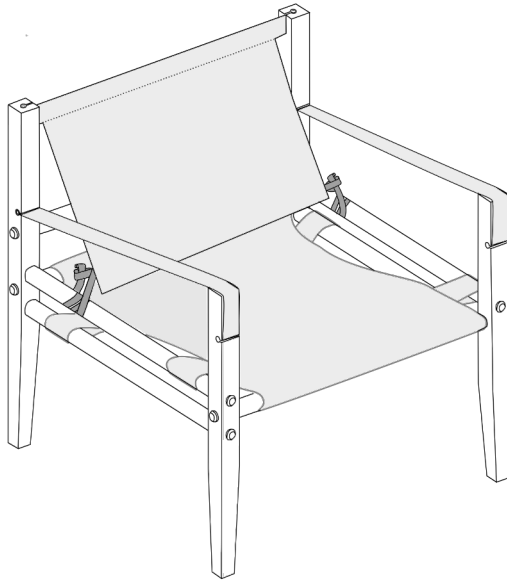
Adjust so that force is applied evenly to each hole.

12



Attach this side first.

Finished



- Please ensure that the product is properly assembled before use.
- Adjust the backrest to the person sitting, moving the wrapped part towards the front leg side. (It will not move once weight is applied.)
- To disassemble, follow these instructions in reverse order.

We recommend applying a finish to the wooden parts of this product.

Painting can prevent dirt and degradation, and can improve the appearance and feel of the product. We will introduce some recommended painting methods that bring out the natural feel of the wood, so please refer to the paint manufacturer's website for detailed painting methods.

"Oil Finish"

Many finishes available on the market, including those derived from natural sources, are health and environmentally friendly. It is relatively easy to paint and recommended. Please use oil intended for furniture finish.

"Wax"

Bee's wax and other natural waxes are safe. They are very easy and safe to apply.

(Note)

Please do not use paints that form a film (such as urethane paint, varnish, paint, etc.). There is a risk that you will not be able to assemble this product. We recommend finishes that penetrate into the wood, such as oil or wax.

Product Specifications

Product Name	chair1987
Usage	Assembled chair for general households
Product Dimensions	Assembled: Width 570mm x Depth 570mm x Height 600mm Stored: Approximately Width 130mm x Depth 130mm x Height 650mm
Weight	Approximately 3.2kg
Load Capacity	100kg
Materials	Structural parts: Japanese-made chestnut solid wood Surface Treatment: Unpainted, finished with sandpaper Covering Material: Japanese No. 9 Canvas (100% cotton), Japanese-made cord (100% cotton)
Country of Origin	Japan

Contact Information

For inquiries about "chair1987", please contact us at the following email address.

info@wildingout.net

Wildingout Co., Ltd.

Postal code: 604-8274

Address: 508 Nishido-cho, Nakagyo-ku, Kyoto, Kyoto Prefecture

